

Service Data

Vickers®

Directional Controls



Multiple Unit Valves

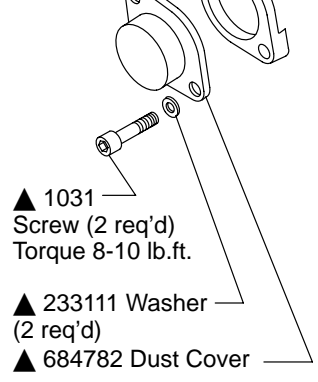
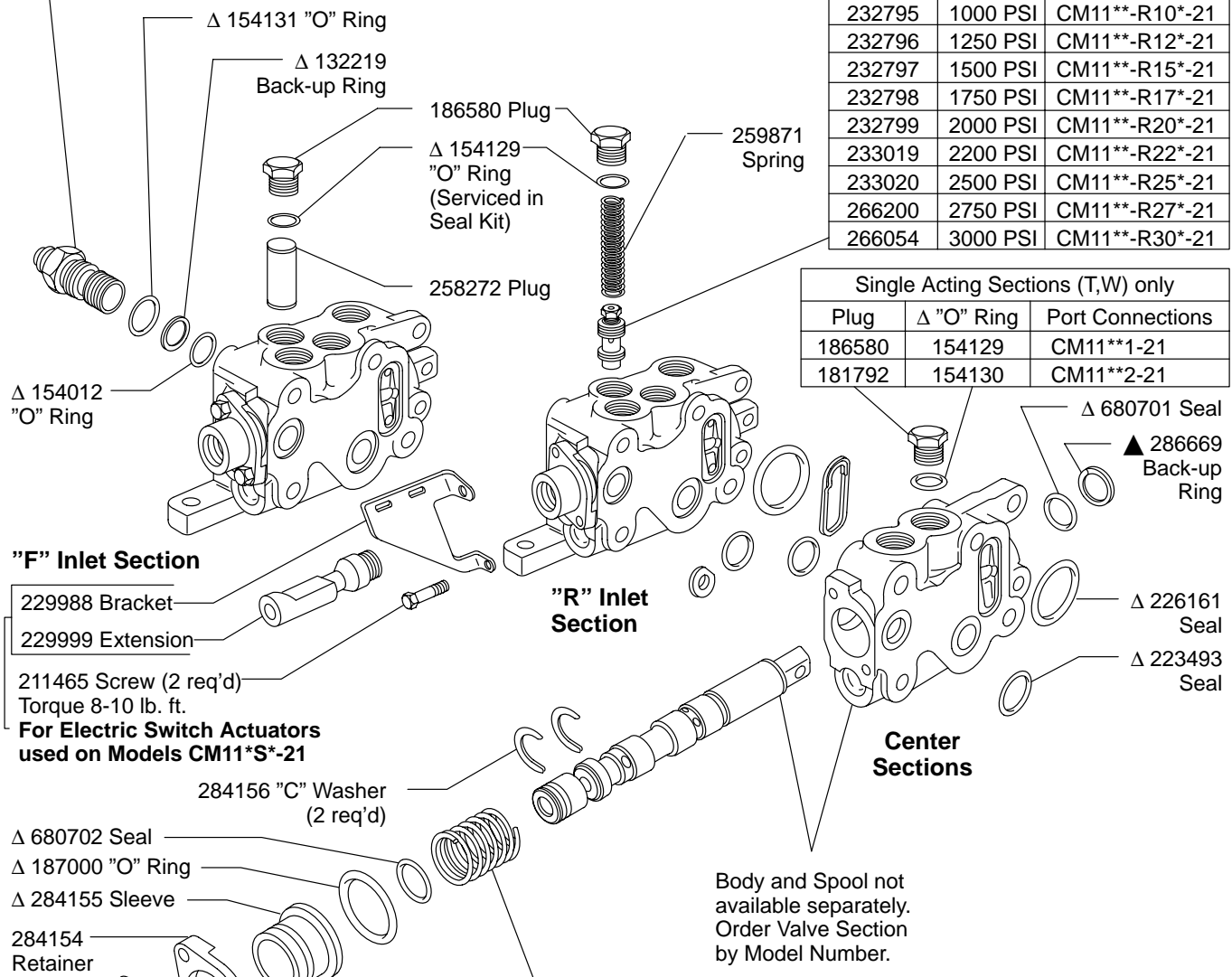
CM11 Series, -21 Design



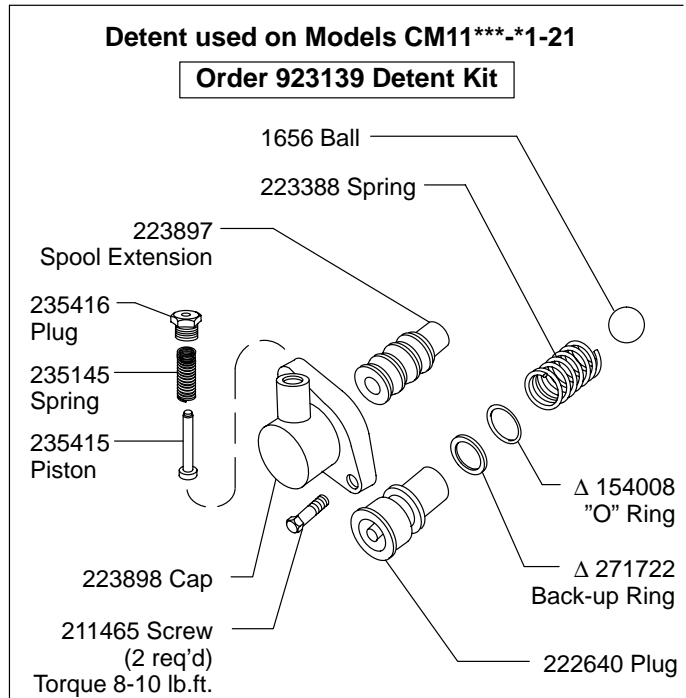
Fitting	Port Connection
254968	CM11**1-F*-21
254969	CM11**2-F*-21

Control Valve S/A	Relief Setting	Model
233018	500 PSI	CM11**-R05*-21
232794	750 PSI	CM11**-R07*-21
232795	1000 PSI	CM11**-R10*-21
232796	1250 PSI	CM11**-R12*-21
232797	1500 PSI	CM11**-R15*-21
232798	1750 PSI	CM11**-R17*-21
232799	2000 PSI	CM11**-R20*-21
233019	2200 PSI	CM11**-R22*-21
233020	2500 PSI	CM11**-R25*-21
266200	2750 PSI	CM11**-R27*-21
266054	3000 PSI	CM11**-R30*-21

Single Acting Sections (T,W) only		
Plug	Δ "O" Ring	Port Connections
186580	154129	CM11**1-21
181792	154130	CM11**2-21

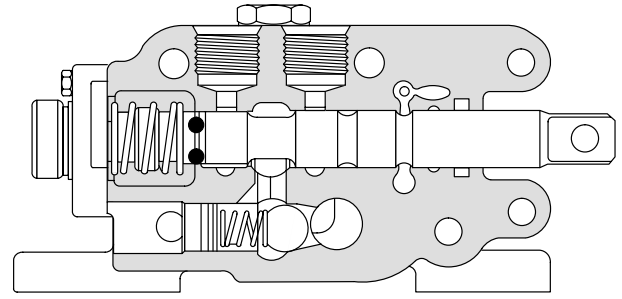


Model	Centering Spring
CM11***-21 (Without Detent)	246632
CM11***-1-21 (With Detent)	262715
CM11***-2-21 (Light Spring)	262715
CM11***-7-21 (1/2 Load Spring)	262715

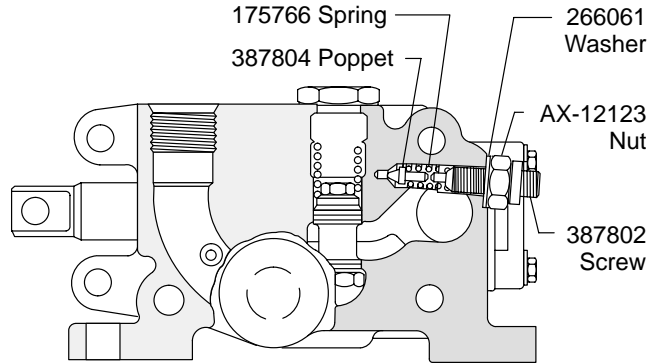


▲ Included in Dust Cover Kit 920293

Fulcrum Rod	Overall Length	Model	Operating Sections
245491	1.766"	CM11-H1-20	1
245492	3.391"	CM11-H2-20	2
245493	4.891"	CM11-H3-20	3
245494	6.391"	CM11-H4-20	4
245495	7.891"	CM11-H5-20	5
245496	9.391"	CM11-H6-20	6
245497	10.891"	CM11-H7-20	7
245498	12.391"	CM11-H8-20	8
245499	13.891"	CM11-H9-20	9
245500	15.391"	CM11-H10-20	10



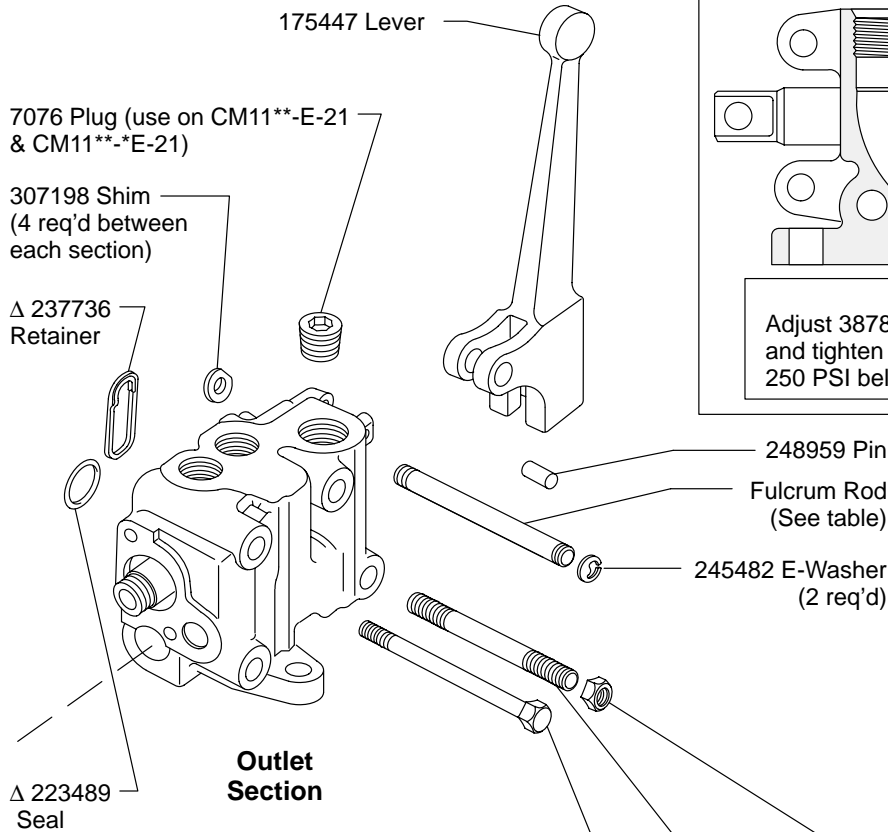
CM11NO*-RV** Option**



- 175766 Spring
- 387804 Poppet
- 266061 Washer
- AX-12123 Nut
- 387802 Screw

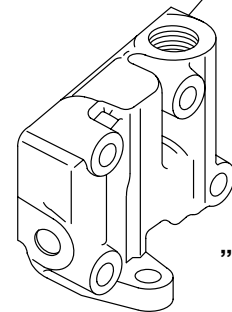
Note

Adjust 387802 screw to specified relief setting (V**) and tighten AX-12123 jam nut. (V**) value must be 250 PSI below (R**) value.



Outlet Section

CM11*-L-21
Order by Model Number**



"L" Outlet Section

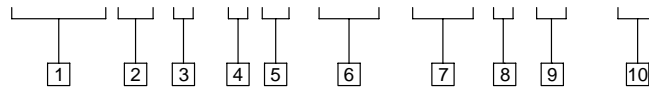
Screw (4 req'd)	Stud (4 req'd)	Overall Length	Nut Torque 17 lb.ft.	Model	Operating Sections
223161			1454	CM11-P1-20	1
223162			(4 req'd)	CM11-P2-20	2
	223163	7.38"	1454 (8 req'd)	CM11-P3-20	3
	223164	8.88"		CM11-P4-20	4
	223165	10.38"		CM11-P5-20	5
	223166	11.88"		CM11-P6-20	6
	223167	13.38"		CM11-P7-20	7
	223168	14.88"		CM11-P8-20	8
	223169	16.38"		CM11-P9-20	9
	223170	17.88"		CM11-P10-20	10

Service all units with F3 Seal Kit 923093

▲ Included in 920278 Seal Kit

Model Code

CM11 ** * - * ** V ** * * * * ** - 21



1 Model Series

CM11 - Multiple unit control valve

2 Valve Bank Modification

- NO** - No modification
- ND** - Standard sections - dust covers
- NS** - Standard sections - electric switch actuators
- ZO** - Narrow bypass sections - no modification
- ZD** - Narrow bypass sections - dust covers
- ZS** - Narrow bypass sections - electrical switch actuators

3 Port Connections

- 1** - 7/8-14 UNF - 2B Inlet & discharge ports - 3/4-16 UNF - 2B cylinder ports
- 2** - 1 1/16-14 UNF - 2B inlet & discharge ports - 7/8-14 UNF - 2B cylinder ports

4 Inlet Body Type

- F** - Carry over port - no relief valve
- R** - Standard - relief valve (partial flow bypass)
- K** - Standard - relief valve (full flow bypass)
- J** - Standard - relief valve (partial flow bypass)

5 System Relief Valve Setting (PSI)

- 05 - 500 PSI
- 07 - 750 PSI
- 10 - 1000 PSI
- 12 - 1250 PSI
- 15 - 1500 PSI
- 17 - 1750
- 20 - 2000 PSI
- 22 - 2250 PSI
- 25 - 2500 PSI
- 27 - 2750 PSI
- 30 - 3000 PSI

6 Adjustable System Relief Valve Setting - PSI
(Omit if not required)

- V05 - 500 PSI
- V07 - 750 PSI
- V10 - 1000 PSI
- V12 - 1250 PSI
- V15 - 1500 PSI
- V17 - 1750 PSI
- V20 - 2000 PSI
- V22 - 2250 PSI
- V25 - 2500 PSI

7 Spool Type

- A6**- Counterbalance
- B** - Motor
- C** - Float
- D** - Double acting
- D3**- Dual function
- D4**- Special metering
- D5**- Combined & B spool functions
- T** - Single acting
- W3**- Safety interlock

8 Spool Modification

- (Omit if not required)
- 1** - Detent for any spools
 - 2** - Light centering spring
 - 7** - Half load centering spring

9 Outlet Body Type

- L** - Standard
- E** - Carry over port
- E1**- E section with additional outlet port

10 Design

For satisfactory service life of these components in industrial applications, use full flow filtration to provide fluid which meets ISO cleanliness code 20/18/15 or cleaner. Selections from Vickers OFF, OFR, and OFRS series are recommended.