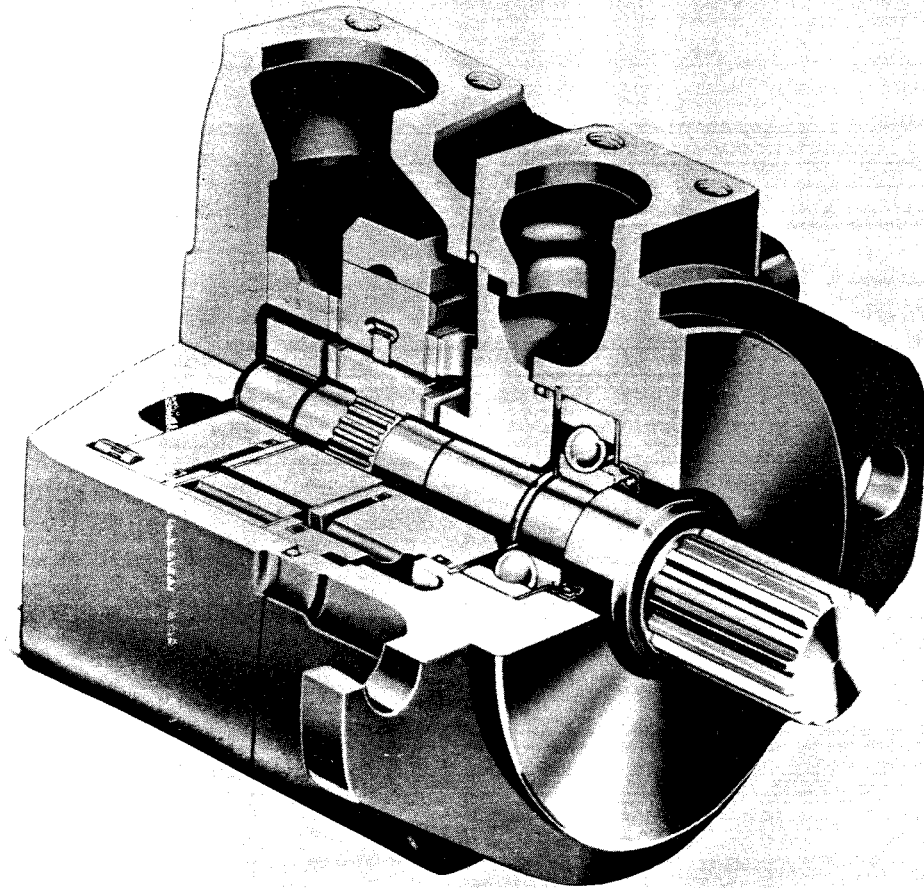


Vane Type Single Pump

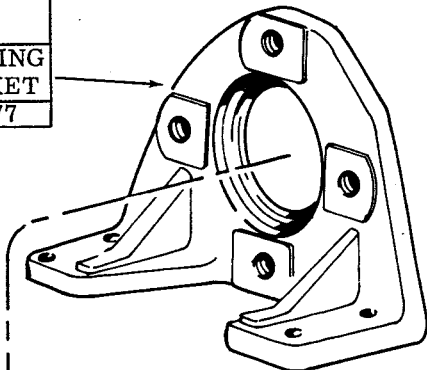
45VQ**A-86*-20(L)



Vickers Incorporated
A TRINNOVA Company
5445 Corporate Drive
P. O. Box 302
Troy, Michigan 48007-0302
U.S.A.

NOTE
USE 45VQ PARTS TO
SERVICE 45V -10/12
DESIGN UNITS.

MOUNTING ASSEMBLY 45VQ***F-**-20(L)		
INCLUDED IN FOOT BRACKET KIT FB-C-10	SCREW (2 REQ'D) 205533	MOUNTING BRACKET 205077



F3
▲□●429282 SHAFT SEAL (USE ON "S"
FLANGE MOUNTED MODELS ONLY)

131812 BEARING

942356 BODY S/A KIT
(OUTLET)

102949 RETAINING RING

(F3 = 429285) - ▲□□ 394974 SHAFT
SEAL

158630 SNAP RING

194878 WASHER

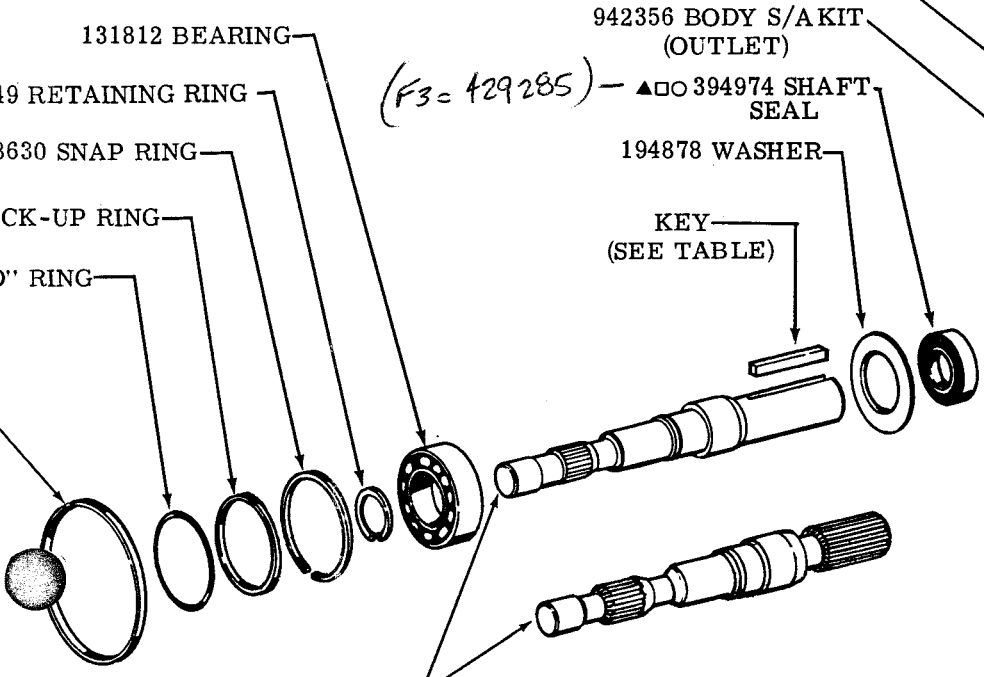
8509 BACK-UP RING

KEY
(SEE TABLE)

54087 "O" RING

LL
L-
T.)

SCREW (SEE TABLE)



SHAFTS					
SINGLE SEAL MODELS		DOUBLE SEAL MODELS		KEY	TYPE
SHAFT NO.	PART NO.	SHAFT NO.	PART NO.		
1	233369	—	—	217596	STR. KEYED
4	233370	—	—	—	SPLINE
11	242885	—	—	—	SPLINE
—	—	130	422541	—	SPLINE
86	361760	—	—	239751	STR. KEYED

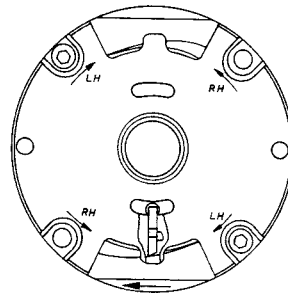
085

111 413020 - SPLINE
(REPLACES 130) 230 928771 - "

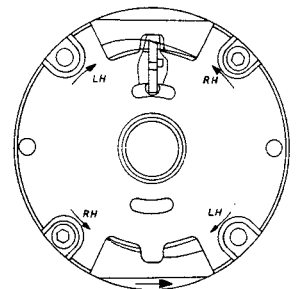
RING	OUTLET SUPPORT PLATE	CART. KIT	F3 CART. KIT
297510	415382	416435	419511
297718		421234	421954
297502		416436	419510
306772		421233	421955
297503		416437	419509

◆ NOTE
WHEN ORDERED INDIVID-
UALLY, FLEX SIDE PLATE
KIT INCLUDES (4) F3 SEAL
PACK SUBASSEMBLIES.

SHARP EDGE OF VANE MUST
LEAD DIRECTION OF ROTATION



COVER END
L.H. ROTATION



COVER END
R.H. ROTATION

MODEL CODE BREAKDOWN

(F3) – 45 VQ ** A * – * * * 20 (*)

1 2 3 4 5 6 7 8 9 10

1 VITON SEALS
(OMIT IF NOT REQUIRED)

2 SERIES

3 VANE TYPE

4 SAE RATED CAPACITY
(RATING AT 1200 RPM – 100 PSI)
(SEE INSIDE FOR CAPACITIES)

5 PORT CONNECTIONS
A – SAE 4-BOLT FLANGE

6 MOUNTING & SHAFT SEALS ASSY.
F – FOOT (SINGLE SHAFT SEAL ASSY.)
S – FLANGE (DOUBLE SHAFT SEAL ASSY.)
OMITTED – FLANGE (SINGLE SHAFT SEAL ASSY.)

7 SHAFTS
(SEE TABULATION, EXPLODED VIEW)

8 PORT POSITIONS
(SEE CHART BELOW)

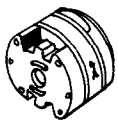
9 DESIGN

10 ROTATION
(VIEWED FROM SHAFT END)
L – LEFT HAND (CCW ROTATION)
OMITTED – RIGHT HAND ROTATION

MODEL	INLET COVER POSITIONS (VIEWED FROM COVER END)
45VQ**A-***A-20(L)	OPPOSITE OUTLET PORT
45VQ**A-***B-20(L)	90° CLOCKWISE FROM OUTLET
45VQ**A-***C-20(L)	IN-LINE WITH OUTLET
45VQ**A-***D-20(L)	90° COUNTERCLOCKWISE FROM OUTLET

PARTS ORDERING

PARTS ARE THE SAME FOR BOTH RIGHT AND LEFT HAND ROTATION. WHEN ORDERING SPARE CARTRIDGE PARTS, IT IS RECOMMENDED THEY BE OBTAINED IN CARTRIDGE KITS. KITS ARE ASSEMBLED AND TESTED FOR EITHER RIGHT OR LEFT HAND ROTATION. IF LEFT HAND ROTATION IS REQUIRED, IT SHOULD BE SPECIFIED ON PARTS ORDER BY ADDING SUFFIX "L" TO KIT NUMBER. FOR EXAMPLE, 416435-L.



For satisfactory service life of these components, use full flow filtration to provide fluid which meets ISO cleanliness code 16/13 or cleaner. Selections from pressure, return, and in-line filter series are recommended.