

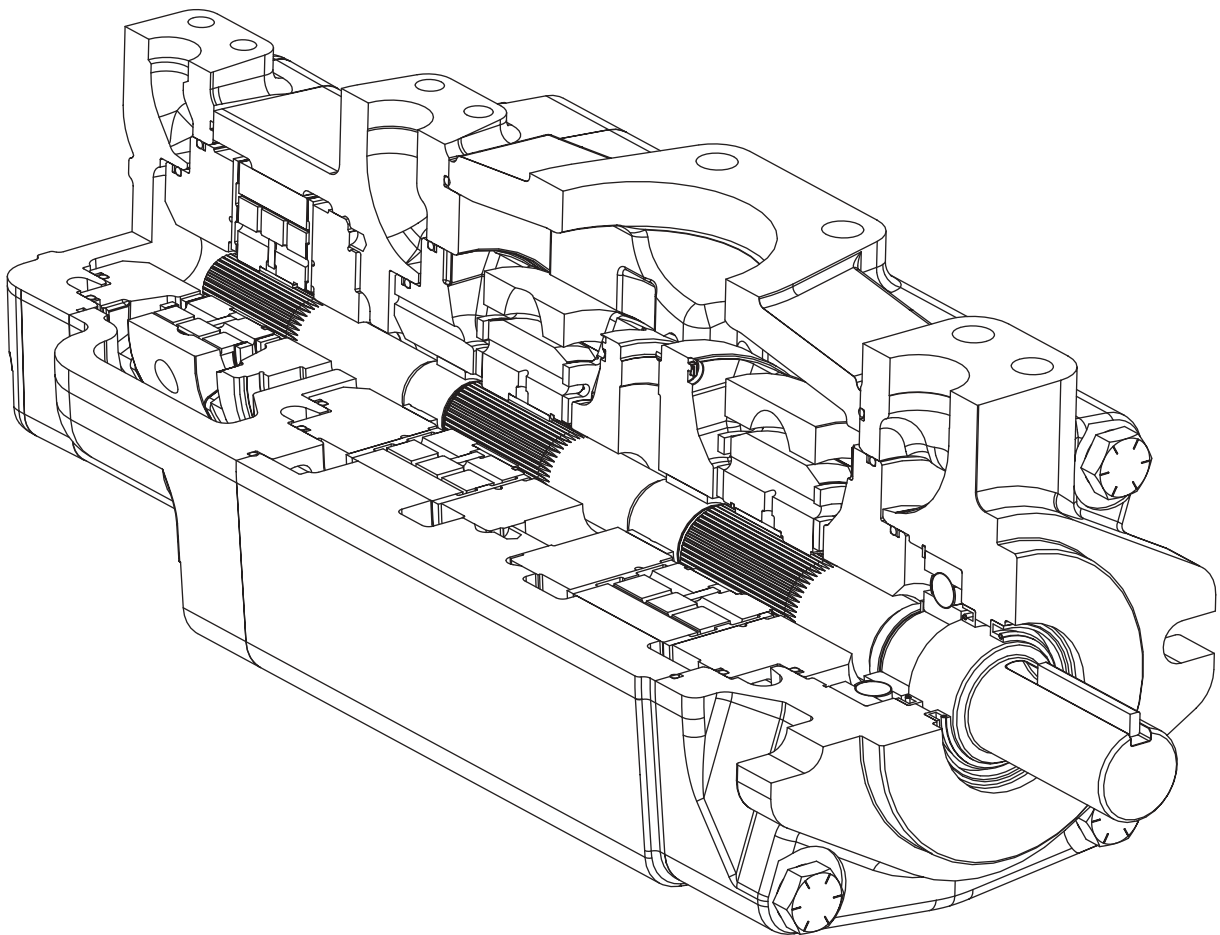
**EATON**

**Vickers**

**High Pressure, High Performance  
Triple Vane Pumps**

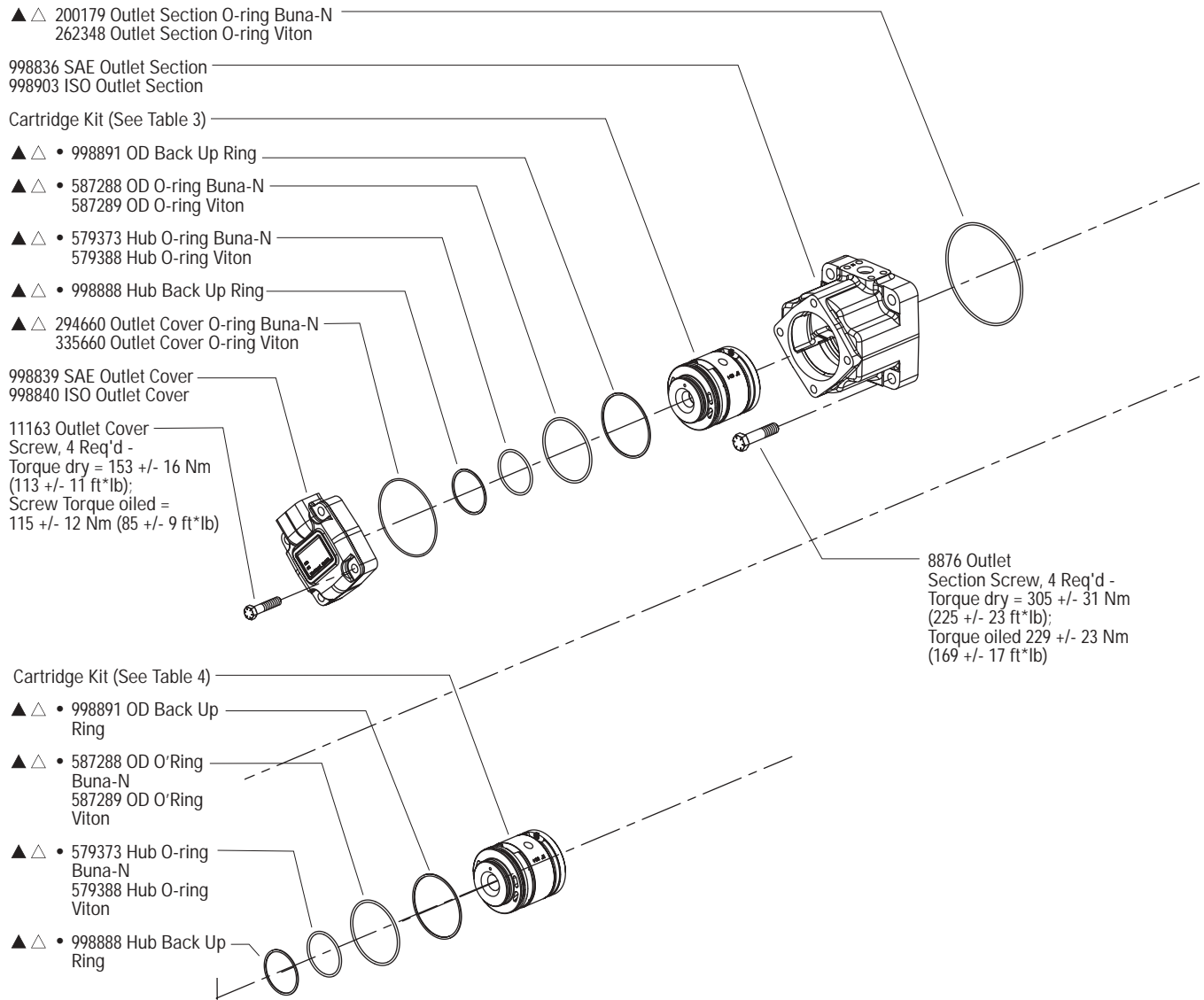
Parts Data

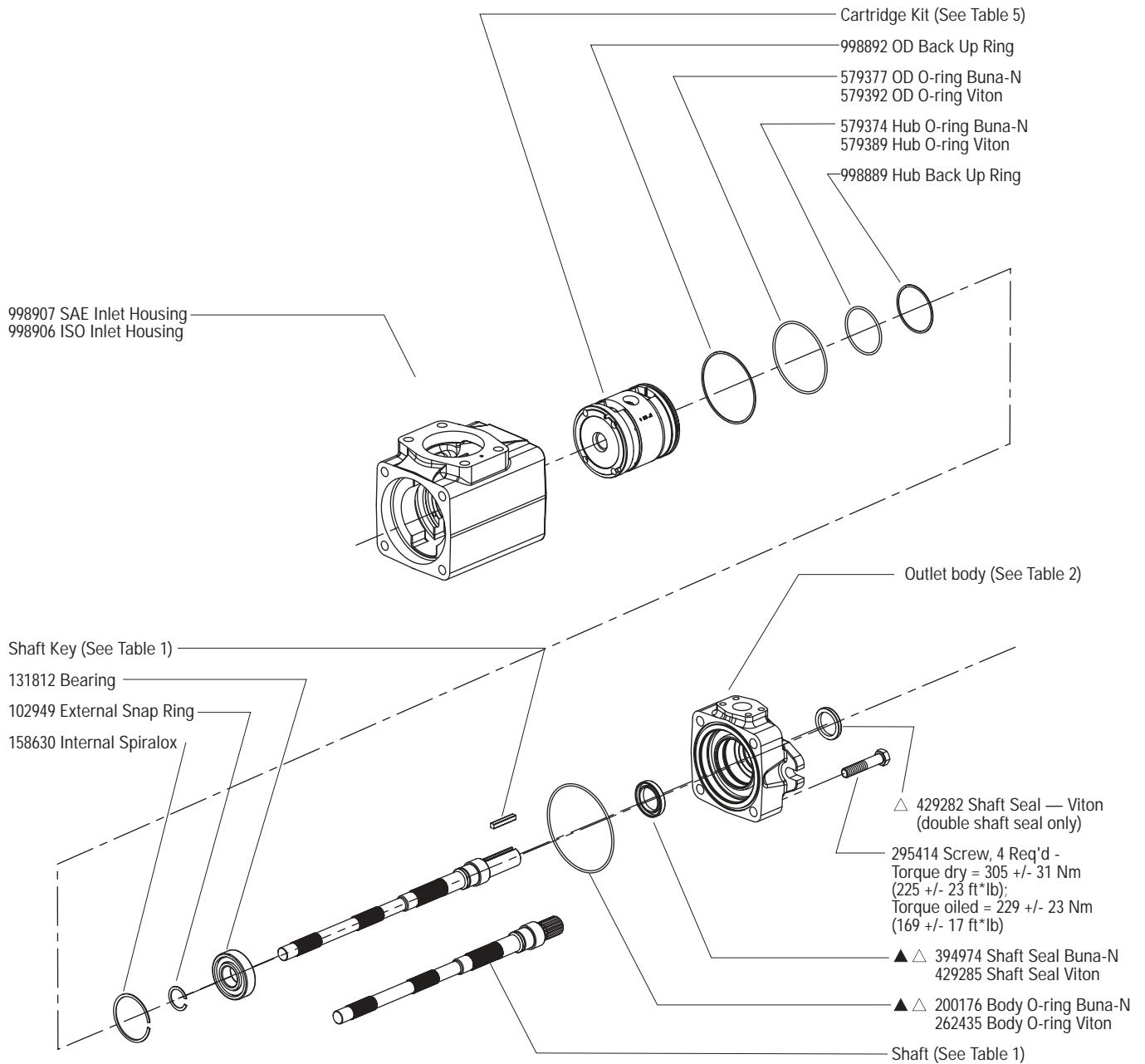
VMQ3352525S Series  
- 32 Design



**VICKERS**<sup>®</sup>

# High Pressure, High Performance Triple Vane Pump VMQ3352525S Series — 32 Design





**Note:** Lubricate all parts and seals with a thin coat of oil at assembly.

- Included in Cartridge Kit (see table 3-5)
- ▲ Included in 02-346534 Buna-N Single Seal Kit or 02-346536 Viton Single Seal Kit.
- △ Included in 02-346535 Buna-N Double Seal Kit or 02-346537 Viton Double Seal Kit.
- \* With double and triple pumps, the orientation of the kits is such that the kit rotation is a reverse of the pump rotation. See tables X1 and X2 for the correct kit rotation relative to the pump rotation.

TABLE X1

**Cartridge Kit Rotation for Right Hand Rotation Pump**

R= Right Hand Rotation		L=Left Hand Rotation	
PUMP ROTATION	SHAFT END KIT ROTATION	CENTER KIT ROTATION	COVER END KIT ROTATION
Triple (R)	(R)	(L)	(L)

\*Notes: - A right hand rotation pump has the shaft turning clockwise when viewed from the input shaft end  
 - When ordering a right hand rotation kit, the part number will not have a suffix.

TABLE X2

**Cartridge Kit Rotation for Left Hand Rotation Pump**

R= Right Hand Rotation		L=Left Hand Rotation	
PUMP ROTATION	SHAFT END KIT ROTATION	CENTER KIT ROTATION	COVER END KIT ROTATION
Triple (L)	(L)	(R)	(R)

\*Notes: - A left hand rotation pump has the shaft turning counterclockwise when viewed from the input shaft end  
 - When ordering a left hand rotation kit, the part number will have a suffix of '-L'

TABLE 1

MODEL CODE	SHAFT	KEY
VMQ3352525S-***-***-***-**-01	998914	928541
VMQ3352525S-***-***-***-**-02	998915	—
VMQ3352525S-***-***-***-**-03	998916	928546
VMQ3352525S-***-***-***-**-05	998917	928542
VMQ3352525S-***-***-***-**-06	998918	—
VMQ3352525S-***-***-***-**-07	998919	928547

TABLE 2

**OUTLET BODY**

Flange Mounting Style	Single Shaft Seal		Double Shaft Seal	
	Inch Port Threads	Metric Port Threads	Inch Port Threads	Metric Port Threads
SAE B	998929	998931	998930	998932
ISO 100	—	998933	—	998934

TABLE 3

MODEL CODE COVER END	* ● CARTRIDGE KIT (BUNA-N)	* ● CARTRIDGE KIT (VITON <sup>®</sup> )
VMQ3352525S***-***-010	02-465564	02-465563
VMQ3352525S***-***-016	02-465565	02-465562
VMQ3352525S***-***-020	02-465566	02-465561
VMQ3352525S***-***-025	02-465567	02-465560
VMQ3352525S***-***-032	02-465568	02-465559
VMQ3352525S***-***-040	02-465551	02-465558
VMQ3352525S***-***-045	02-465550	02-465557
VMQ3352525S***-***-050	02-465549	02-465555
VMQ3352525S***-***-063	02-465548	02-465556
VMQ3352525S***-***-071	02-465547	02-465553
VMQ3352525S***-***-080	02-465546	02-465554
VMQ3352525S***-***-090	02-465545	02-465552

TABLE 4

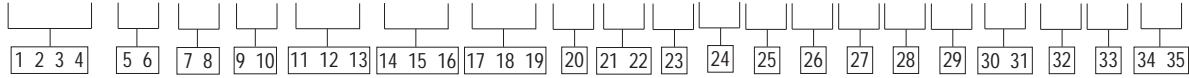
MODEL CODE CENTER SECTION	* ● CARTRIDGE KIT (BUNA-N)	* ● CARTRIDGE KIT (VITON <sup>®</sup> )
VMQ3352525S***-010-***	02-465574	02-465589
VMQ3352525S***-016-***	02-465575	02-465570
VMQ3352525S***-020-***	02-465576	02-465571
VMQ3352525S***-025-***	02-465578	02-465572
VMQ3352525S***-032-***	02-465577	02-465573
VMQ3352525S***-040-***	02-348974	02-348981
VMQ3352525S***-045-***	02-348975	02-348982
VMQ3352525S***-050-***	02-348976	02-348983
VMQ3352525S***-063-***	02-348977	02-348984
VMQ3352525S***-071-***	02-348978	02-348985
VMQ3352525S***-080-***	02-348979	02-348986
VMQ3352525S***-090-***	02-348980	02-348987

TABLE 5

MODEL CODE SHAFT END	* ● CARTRIDGE KIT (BUNA-N)	* ● CARTRIDGE KIT (VITON <sup>®</sup> )
VMQ3352525S-90-***-***	02-346986	02-346987
VMQ3352525S-100-***-***	02-346984	02-346985
VMQ3352525S-112-***-***	02-346982	02-346983
VMQ3352525S-125-***-***	02-346980	02-346981
VMQ3352525S-135-***-***	02-346978	02-346979
VMQ3352525S-140-***-***	02-348374	02-348376
VMQ3352525S-158-***-***	02-348181	02-348180

# Model Code

VMQ3 \*\* \*\* 25 \*\*\* \*\*\* \*\*\* \* \*\* \* \* \* \* \* \* \* \* \* \* OO \* O 32



**1 2 3 4 Series designation**  
VMQ3 – Vane pump triple series

**5 6 Frame size (front section)**  
35 – 90-158 cm<sup>3</sup>/r (5.49-9.64 in<sup>3</sup>/r)

**7 8 Frame size (middle section)**  
25 – 10-90 cm<sup>3</sup>/r (0.62-5.49 in<sup>3</sup>/r)

**9 10 Frame size (rear section)**  
25 – 10-90 cm<sup>3</sup>/r (0.62-5.49 in<sup>3</sup>/r)

**11 12 13 Displacement (front section)**  
Frame size 35  
090 – 90 cm<sup>3</sup>/r (5.49 in<sup>3</sup>/r)  
100 – 100 cm<sup>3</sup>/r (6.10 in<sup>3</sup>/r)  
112 – 112 cm<sup>3</sup>/r (6.83 in<sup>3</sup>/r)  
125 – 125 cm<sup>3</sup>/r (7.63 in<sup>3</sup>/r)  
135 – 135 cm<sup>3</sup>/r (8.24 in<sup>3</sup>/r)  
140 – 140 cm<sup>3</sup>/r (8.54 in<sup>3</sup>/r)  
158 – 158 cm<sup>3</sup>/r (9.64 in<sup>3</sup>/r)

**14 15 16 Displacement (middle section)**  
Frame size 25  
010 – 10 cm<sup>3</sup>/r (0.62 in<sup>3</sup>/r)  
016 – 16 cm<sup>3</sup>/r (0.98 in<sup>3</sup>/r)  
020 – 20 cm<sup>3</sup>/r (1.23 in<sup>3</sup>/r)  
025 – 25 cm<sup>3</sup>/r (1.58 in<sup>3</sup>/r)  
032 – 32 cm<sup>3</sup>/r (1.96 in<sup>3</sup>/r)  
040 – 40 cm<sup>3</sup>/r (2.44 in<sup>3</sup>/r)  
045 – 45 cm<sup>3</sup>/r (2.75 in<sup>3</sup>/r)  
050 – 50 cm<sup>3</sup>/r (3.05 in<sup>3</sup>/r)  
063 – 63 cm<sup>3</sup>/r (3.84 in<sup>3</sup>/r)  
071 – 71 cm<sup>3</sup>/r (4.33 in<sup>3</sup>/r)  
080 – 80 cm<sup>3</sup>/r (4.88 in<sup>3</sup>/r)  
090 – 90 cm<sup>3</sup>/r (5.49 in<sup>3</sup>/r)

**17 18 19 Displacement (rear section)**  
Frame size 25  
010 – 10 cm<sup>3</sup>/r (0.62 in<sup>3</sup>/r)  
016 – 16 cm<sup>3</sup>/r (0.98 in<sup>3</sup>/r)  
020 – 20 cm<sup>3</sup>/r (1.23 in<sup>3</sup>/r)  
025 – 25 cm<sup>3</sup>/r (1.58 in<sup>3</sup>/r)  
032 – 32 cm<sup>3</sup>/r (1.96 in<sup>3</sup>/r)  
040 – 40 cm<sup>3</sup>/r (2.44 in<sup>3</sup>/r)  
045 – 45 cm<sup>3</sup>/r (2.75 in<sup>3</sup>/r)  
050 – 50 cm<sup>3</sup>/r (3.05 in<sup>3</sup>/r)  
063 – 63 cm<sup>3</sup>/r (3.84 in<sup>3</sup>/r)  
071 – 71 cm<sup>3</sup>/r (4.33 in<sup>3</sup>/r)  
080 – 80 cm<sup>3</sup>/r (4.88 in<sup>3</sup>/r)  
090 – 90 cm<sup>3</sup>/r (5.49 in<sup>3</sup>/r)

**20 Front flange mounting style**  
A – SAE C 2-bolt  
SAE J744 127-2  
127,00 (5.000) x 12,4 (0.49) pilot  
17,6 (0.69) slots on  
181,0 (7.13) bolt circle  
B – ISO 3019/2 125A2HW  
2-bolt  
125,00 (4.921) x 9,2 (0.36) pilot  
18,1 (0.71) slots on  
180,0 (7.09) bolt circle

**21 22 Input shaft type\***  
01 – SAE J744 keyed  
Frame size 35:  
31,75 (1.250)  
02 – SAE J744 splined  
Frame size 35: C  
03 – ISO 3019/2 keyed  
Frame size 35:  
32,00 (1.260)  
05 – SAE J744 keyed  
Frame size 35:  
38,10 (1.500)  
06 – SAE J744 splined  
Frame size 35: C-C  
07 – ISO 3019/2 keyed  
Frame size 35:  
40,00 (1.575)

**23 Port type**  
A – Inlet: SAE J518 4-bolt flange  
Front outlet: SAE J518 4-bolt flange  
Middle outlet: SAE J518 4-bolt flange  
Rear outlet: SAE J518 4-bolt flange  
B – Inlet: ISO 6162 4-bolt flange  
Front outlet: ISO 6162 4-bolt flange  
Middle outlet: ISO 6162 4-bolt flange  
Rear outlet: ISO 6162 4-bolt flange

**24 Front outlet port position**  
Viewed from cover end of pump  
A – Opposite inlet port  
B – 90° CCW to inlet port  
C – In-line with inlet port  
D – 90° CW to inlet port

**25 Middle outlet port position**  
Viewed from cover end of pump  
A – Opposite inlet port  
B – 90° CCW to inlet port  
C – In-line with inlet port  
D – 90° CW to inlet port

**26 Rear outlet port position**  
Viewed from cover end of pump  
352525 units  
A – 135° CCW to inlet port  
B – 45° CCW to inlet port  
C – 45° CW to inlet port  
D – 135° CW to inlet port

**27 Shaft seal**  
A – Single, primary  
B – Double, secondary (spring side out)  
Recommended for wet mount applications

**28 Seal type**  
N – Buna N  
V – Viton  
W – Buna N with Viton shaft seal(s)

**29 Shaft rotation**  
Viewed from shaft end of pump  
L – Left hand (CCW)  
R – Right hand (CW)

**30 31 Special features**  
00 – None

**32 Paint**  
0 – None  
A – Blue

**33 Customer identification**  
0 – None

**34 35 Design code**  
32 – 32 design  
Installation dimensions remain unchanged for design numbers 31 to 39 inclusive.

\* Verify shaft torque ratings meet or exceed input torque requirements

# Notes

Eaton  
14615 Lone Oak Road  
Eden Prairie, MN 55344  
USA  
Tel: 952 937-9800  
Fax: 952 974-7722  
[www.hydraulics.eaton.com](http://www.hydraulics.eaton.com)

Eaton  
20 Rosamond Road  
Footscray  
Victoria 3011  
Australia  
Tel: (61) 3 9319 8222  
Fax: (61) 3 9318 5714

Eaton  
Dr.-Reckeweg-Str. 1  
D-76532 Baden-Baden  
Germany  
Tel: (49) 7221 682-0  
Fax: (49) 7221 682-788

**VICKERS**<sup>®</sup>

**EAT•N**

**Vickers**

© 2003 Eaton Corporation  
All rights reserved  
Printed in USA  
Document No. V-PUVN-TP012-E  
June 2003 1M