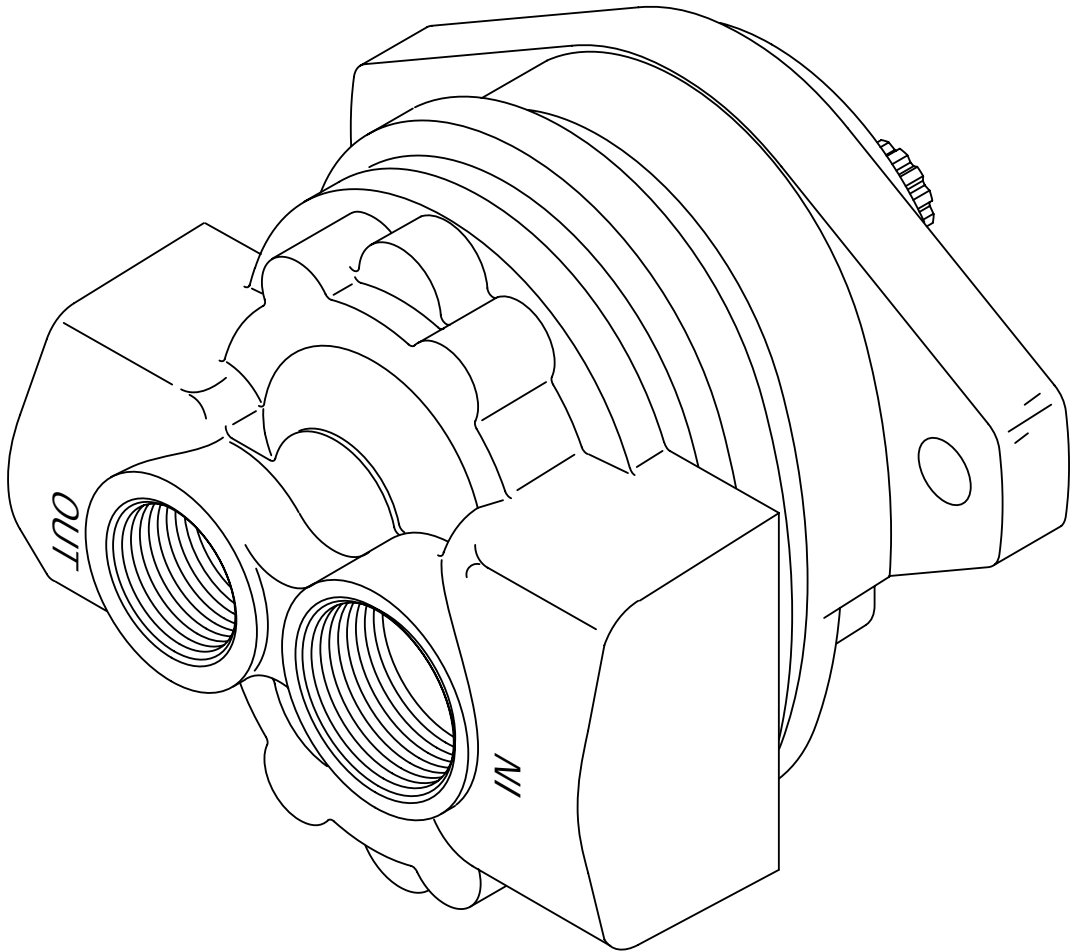


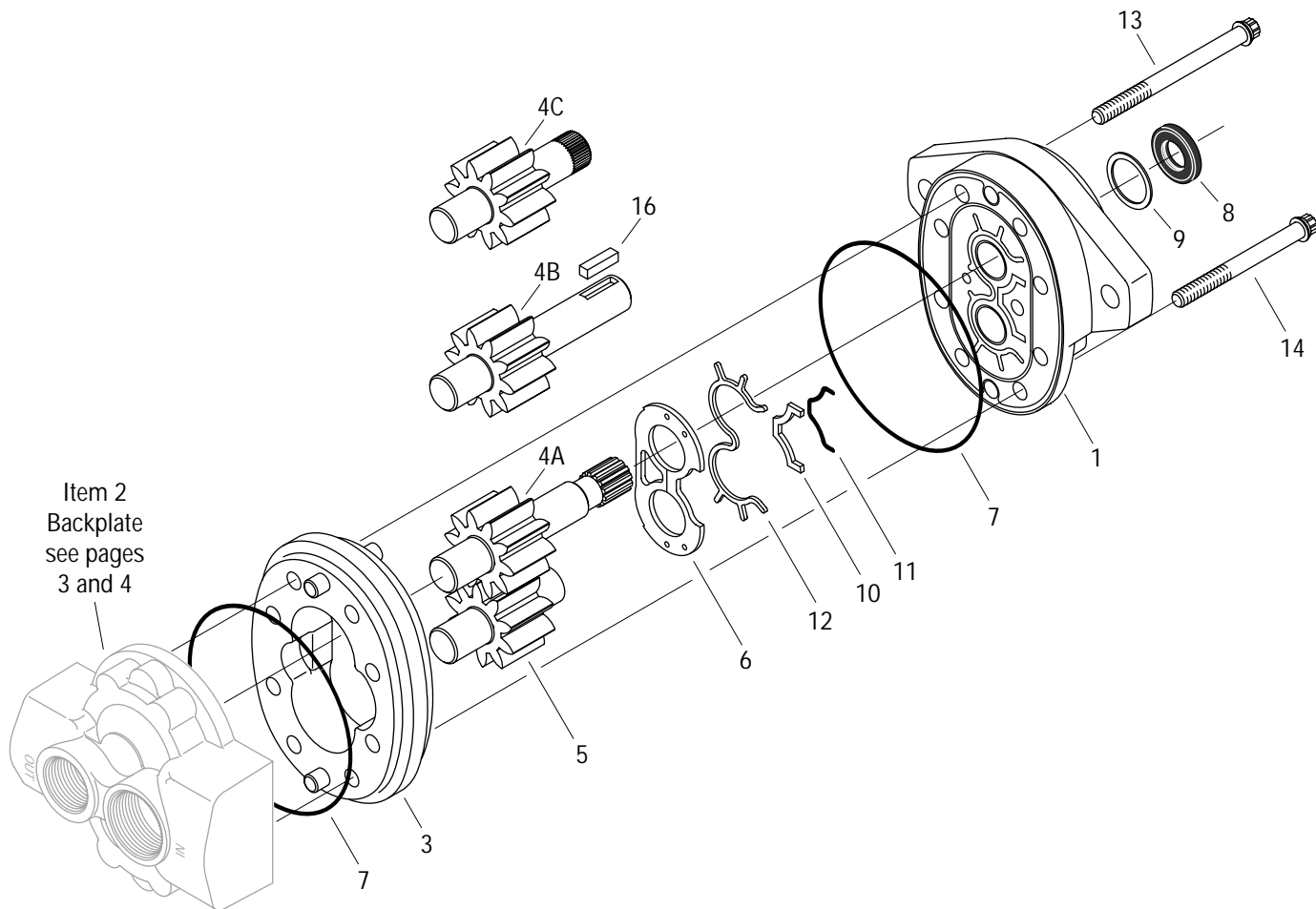


## Parts Information



Model 25500 Gear Pumps  
L2 Series

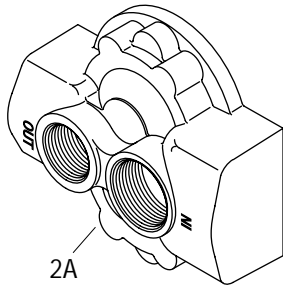
# Pump Drawing



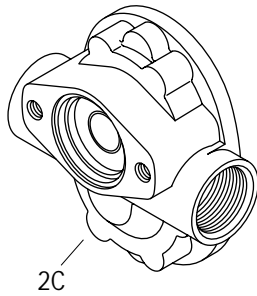
Displacement cm <sup>3</sup> /r in <sup>3</sup> /r	Item No. 3 Body Assembly	Item No. 13 Cap Screw	Item No. 14 Cap Screw
21.3 [1.30]	25500 - 263	16119 - 630	16119 - 626
25.4 [1.55]	25501 - 261	16119 - 630	16119 - 626
29.2 [1.78]	25502 - 261	16119 - 632	16119 - 630
33.6 [2.05]	25503 - 261	16119 - 634	16119 - 630
38.2 [2.33]	25504 - 263	16119 - 634	16119 - 632
42.8 [2.61]	25505 - 265	16119 - 636	16119 - 632
46.7 [2.85]	25506 - 260	16119 - 636	16119 - 634
51.1 [3.12]	25507 - 258	16119 - 640	16119 - 636
55.2 [3.37]	25508 - 268	16119 - 640	16119 - 636

# Backplate Drawings

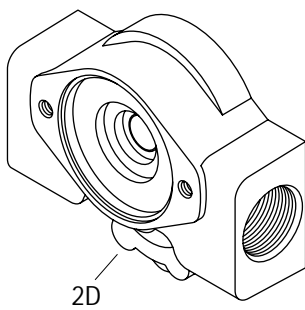
Plain Backplate



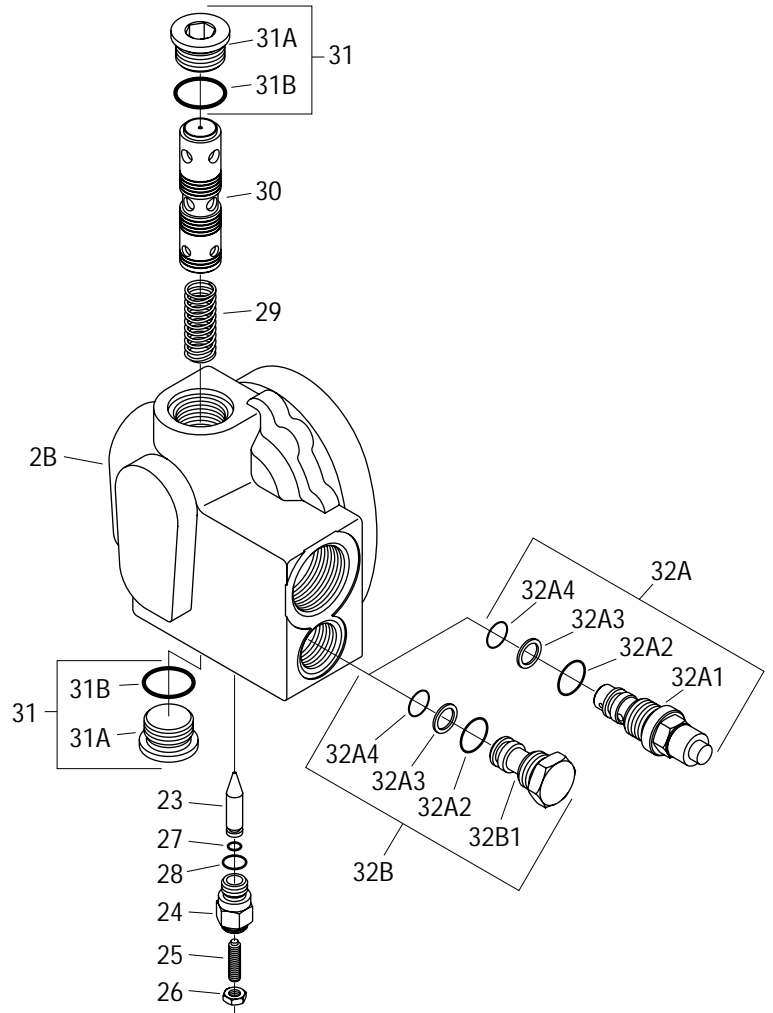
Tandem Backplate – AA Flange



Tandem Backplate – A Flange



Flow Divider Backplate



## Backplate Parts List

Item No.	Part Number	Description	Qty.
2A		Plain Backplate	1
	25500 - 49	O-ring Ports – Side	
	25500 - 51	O-ring Ports – Rear	
	25500 - 47	Split Flange Ports – Side	
2B		Flow Divider Backplate	1
	25530 - 31	O-ring Ports – Side	
	25530 - 32	O-ring Ports – Rear	
2C	25540 - 19	Tandem Backplate – 2 Bolt AA Flange	1
2D	25540 - 20	Tandem Backplate – 2 Bolt A Flange	1
23	25530 - 647	Metering Pin	1
24	70422 - 602	Adjustment Cap	1
25	70422 - 620	Set Screw	1
26	16024 - 4	Nut	1
† 27	16003 - 4 - 90	O-ring	1
† 28	16133 - 6	O-ring	1
29	17066 - 38	Spring	1
30	25530 - 648	Flow Divider Spool	1
31	16103 - 312	Plug Assembly	2
31A	NSS	Plug	2
† 31B	16133 - 12	O-ring	2
32A	Δ	Relief Valve Assembly	1
32A1	NSS	Relief Valve	1
† 32A2	16015 - 17	O-ring	1
† 32A3	16235 - 111	Backup Ring	1
† 32A4	16003 - 11	O-ring	1
32B	33100 - 301	Plug Assembly	1
32B1	NSS	Plug	1

Δ – See table, below, for specific part number

NSS – Not Sold Separately

### Item No. 32A – Relief Valve Assembly

Part Number	Pressure Setting (bar [PSI])
	34.5 [500]
	51.7 [750]
32080 - CA	68.9 [1000]
32080 - EA	86.2 [1250]
32080 - GA	103.4 [1500]
32080 - JA	120.6 [1750]
32080 - LA	137.9 [2000]
32080 - NA	155.1 [2250]
32080 - QA	172.4 [2500]

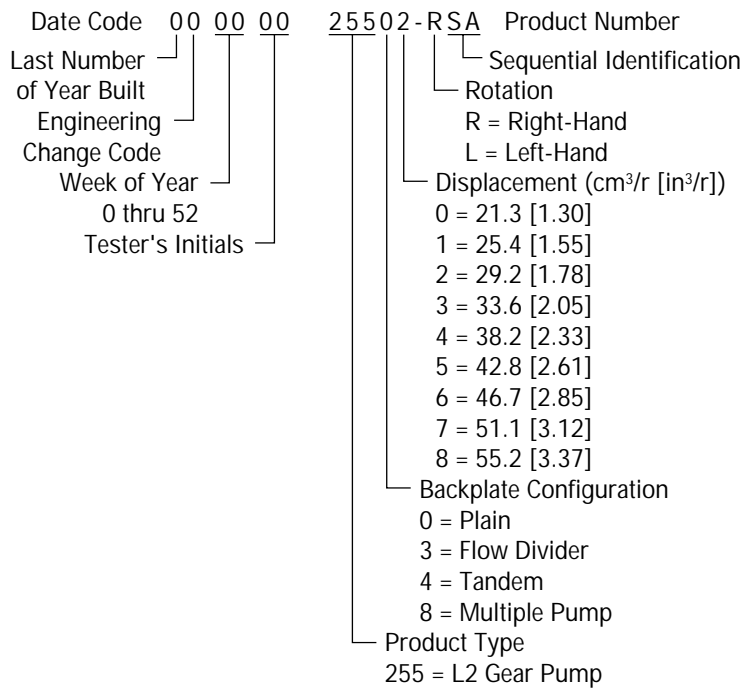
# Pump Parts List

Item No.	Part Number	Description	Qty.
1		Frontplate Assembly	1
	25500 - 526	Left-Hand Rotation	
	25500 - 527	Right-Hand Rotation	
2		Backplate Assembly (see pages 3 and 4)	1
3	Δ	Body Assembly	1
4A	Δ	Drive Gear Assembly (7/8 inch 13 Tooth Spline Shaft)	1
4B	Δ	Drive Gear Assembly (7/8 inch Straight Keyed Shaft)	1
4C	Δ	Drive Gear Assembly (7/8 inch 41 Tooth Spline Shaft)	1
5	Δ	Idler Gear Assembly	1
~ †	6 25500 - 650	Wear Plate	1
~ †	7 16015 - 59 - 90	O-ring	2
~ †	8 21070 - 85	Shaft Seal	1
~ †	9 21070 - 84	Washer	1
~ †	10 25500 - 654	Bearing Seal	1
~ †	11 25500 - 655	Molded O-ring	1
~ †	12 25500 - 710	Backup Gasket	1
	13 Δ	Cap Screw	4
	14 Δ	Cap Screw	4
	16 24500 - 619	Key for Straight Shaft	1
~	25500 - 901	Seal Kit for Plain Pump	
†	25530 - 908	Seal Kit for Flow Divider Pump	

Δ - See table, below or on page 2, for specific part number  
 NSS - Not Sold Separately

Displacement cm <sup>3</sup> /r in <sup>3</sup> /r	Item No. 4A 7/8 in. 13 Tooth Spline Shaft	Item No. 4B 7/8 in. Keyed Shaft	Item No. 4C 7/8 in. 41 Tooth Spline Shaft	Item No. 5 Idler Gear
21.3 [1.30]	25500 - 324	25500 - 313		25500 - 315
25.4 [1.55]	25501 - 313	25501 - 315		25501 - 317
29.2 [1.78]	25502 - 315	25502 - 317		25502 - 319
33.6 [2.05]	25503 - 317	25503 - 311		25503 - 313
38.2 [2.33]		25504 - 317	25504 - 329	25504 - 319
42.8 [2.61]	25505 - 325	25505 - 317		25505 - 319
46.7 [2.85]	25506 - 338	25506 - 319		25506 - 321
51.1 [3.12]	25507 - 329	25507 - 311	25507 - 333	25507 - 313
55.2 [3.37]	25508 - 335	25508 - 337		25508 - 339

Pump Identification – Numbers Stamped on Mounting Flange





Eaton Corporation  
Hydraulics Division  
15151 Hwy. 5  
Eden Prairie, MN 55344  
Telephone 612/937-9800  
Fax 612/937-7130

Eaton Ltd.  
Hydraulics Division  
Glenrothes, Fife  
Scotland, KY7 4NW  
Telephone 01-592-771-771  
Fax 01-592-773-184

Eaton GmbH  
Hydraulics Products  
Am Schimmersfeld 7  
40880 Ratingen, Germany  
Telephone 02102-406-830  
Fax 02102-406-800



Quality System Certified  
Products in this catalog are manufactured  
in an ISO-9001-certified site.