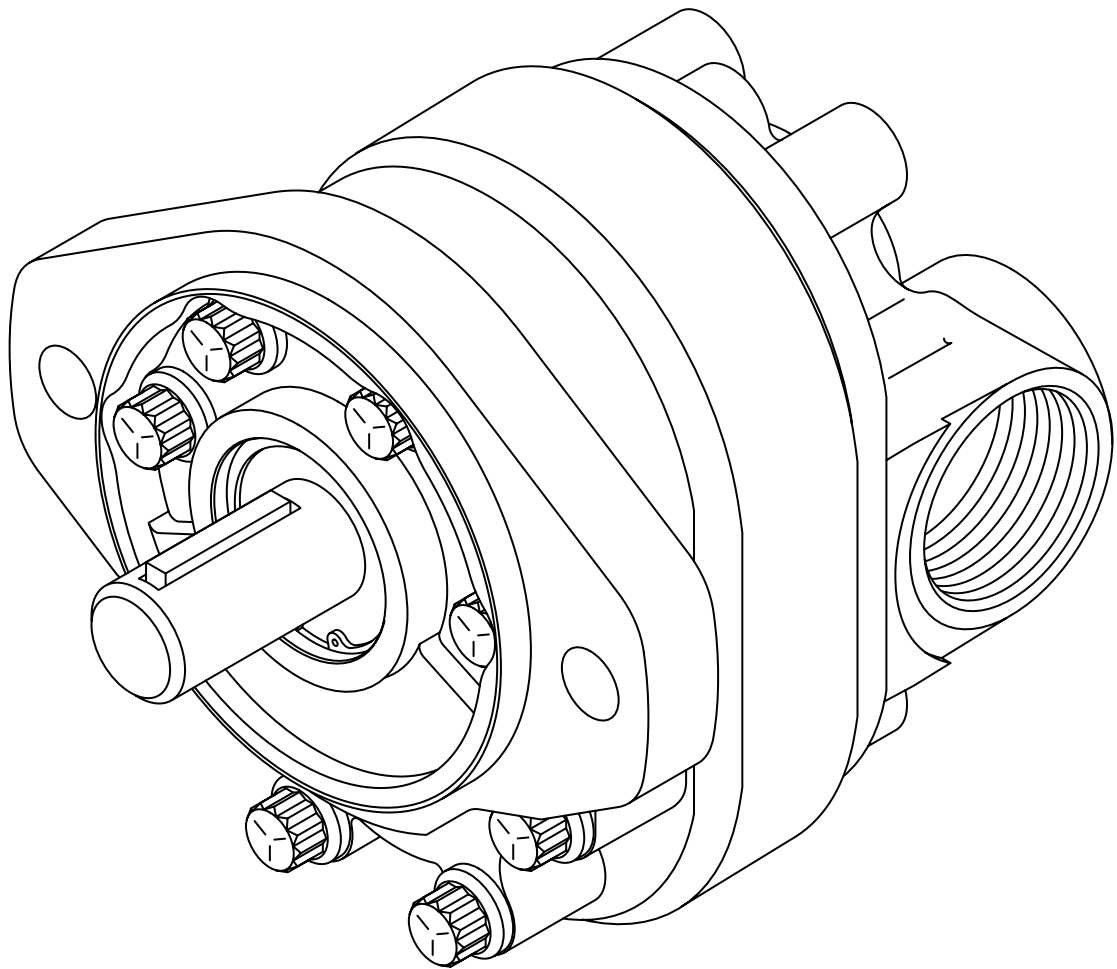


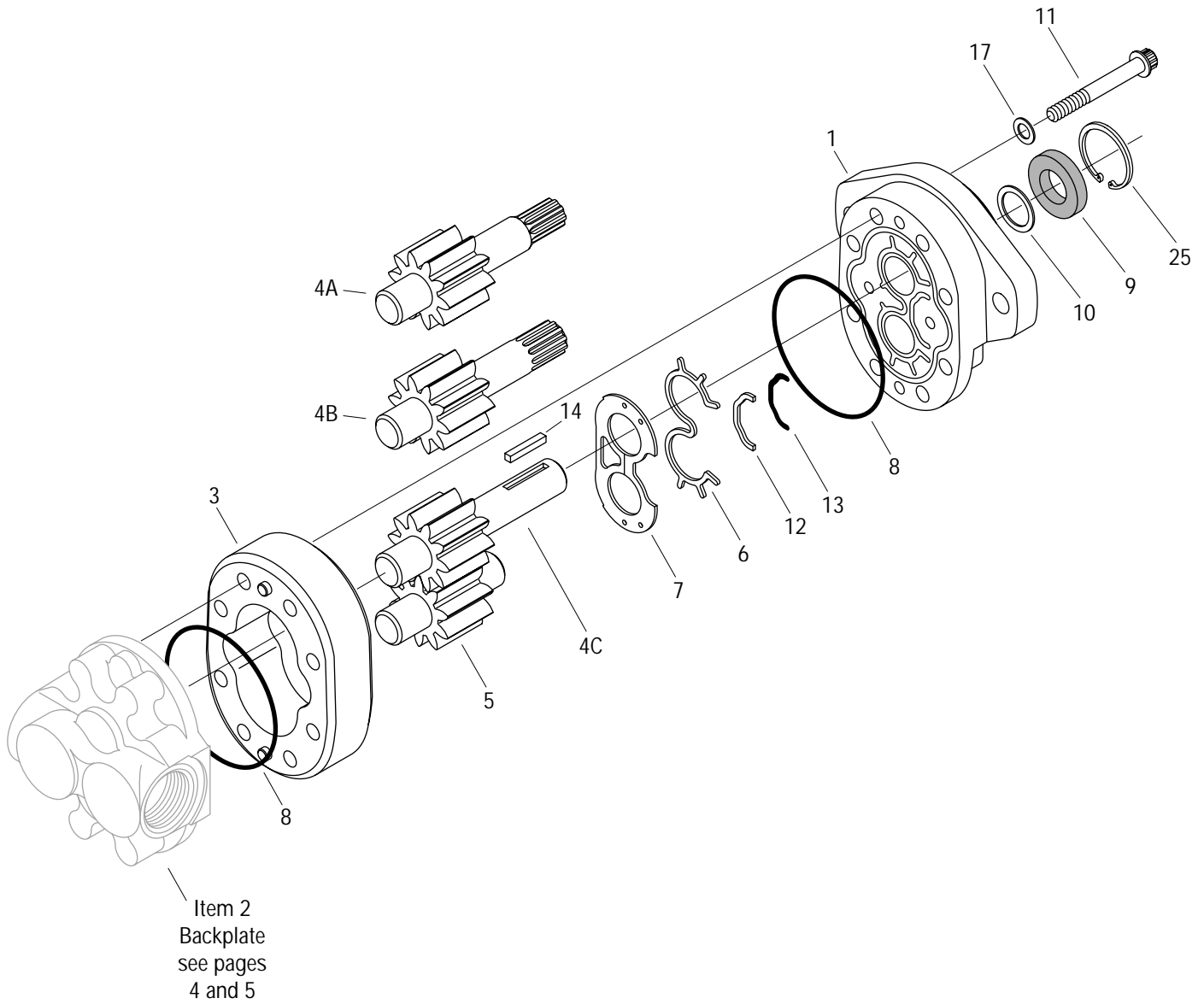


## Parts Information



Model 25300 Single Gear Pumps  
B2 Series

# Pump Parts Drawing



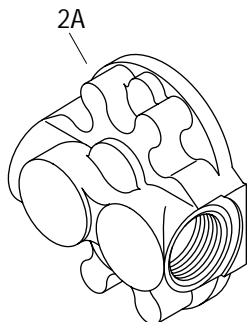
# Pump Parts List

Item No.	Part Number	Description	Qty.
1		Frontplate Assembly	1
	25300 -526	Left-Hand Rotation	
	25300 -523	Right-Hand Rotation	
2		Backplate (see pages 4 and 5)	1
3	Δ	Body Assembly	1
4A	Δ	Drive Gear Assembly (5/8 inch 9 Tooth Spline Shaft)	1
4B	Δ	Drive Gear Assembly (3/4 inch 11 Tooth Spline Shaft)	1
4C	Δ	Drive Gear Assembly (3/4 inch Straight Keyed Shaft)	1
5	Δ	Idler Gear Assembly	1
~ † ~	6 25300 -647	Backup Gasket	1
~ † ~	7 25300 -600	Wear Plate	1
~ † ~	8 16007 -513	O-ring	2
~ † ~	9 15147 -281	Shaft Seal	1
~ † ~	10 16048 -27	Washer	1
	11 Δ	Cap Screw	8
~ † ~	12 25300 -603	Bearing Seal	1
~ † ~	13 25300 -601	Molded O-ring	1
	14 15511 -568	Key for Straight Shaft	1
~	17 21006 -19	Copper Washer	4
	25 16077 -22	Retaining Ring	1
~	25300 -901	Seal Kit for Plain Pump	
†	25330 -930	Seal Kit for Flow Divider Pump (see page 5)	
~	25330 -911	Seal Kit for Tandem Flow Divider Pump (see page 5)	
Δ	- See table, below, for specific part number		

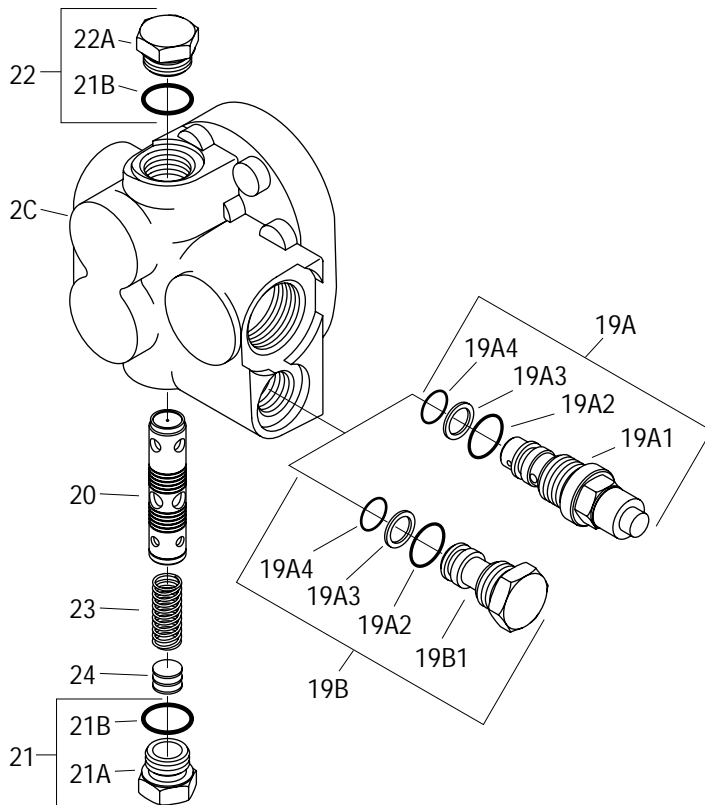
Displacement cm <sup>3</sup> /r [in <sup>3</sup> /r]	Item No. 3 Body Assembly	Item No. 4A 5/8 in. Spline Shaft	Item No. 4B 3/4 in. Spline Shaft	Item No. 4C 3/4 in. Keyed Shaft	Item No. 5 Idler Gear	Item No. 11 Cap Screw
8.2 [.50]	25300 - 252	25300 - 304	25300 - 308	25300 - 306	25300 - 302	16119 - 520
10.8 [.66]	25301 - 255	25301 - 305	25301 - 309	25301 - 307	25301 - 303	16119 - 522
13.8 [.84]	25302 - 255	25302 - 307	25302 - 311	25302 - 309	25302 - 303	16119 - 522
16.7 [1.02]	25303 - 255	25303 - 305	25303 - 309	25303 - 307	25303 - 303	16119 - 524
19.7 [1.20]	25304 - 258	25304 - 309	25304 - 313	25304 - 311	25304 - 307	16119 - 524
22.5 [1.37]	25305 - 255	25305 - 305	25305 - 309	25305 - 307	25305 - 303	16119 - 526
25.2 [1.54]	25306 - 255	25306 - 305	25306 - 309	25306 - 307	25306 - 303	16119 - 526
27.7 [1.69]	25307 - 254	25307 - 318	25307 - 316	25307 - 320	25307 - 314	16119 - 530
30.6 [1.87]	25308 - 259	25308 - 310	25308 - 308	25308 - 312	25308 - 306	16119 - 530

# Backplate Drawings

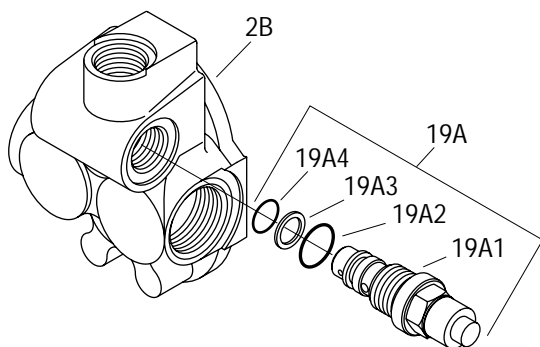
Plain Backplate



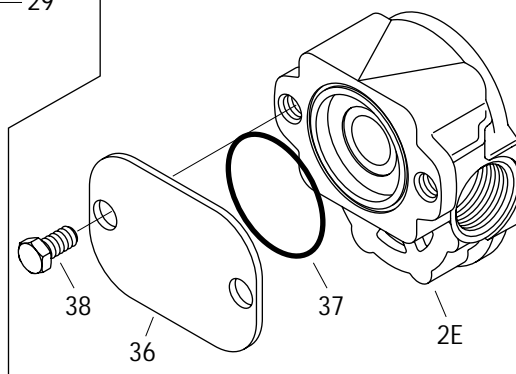
Flow Divider Backplate



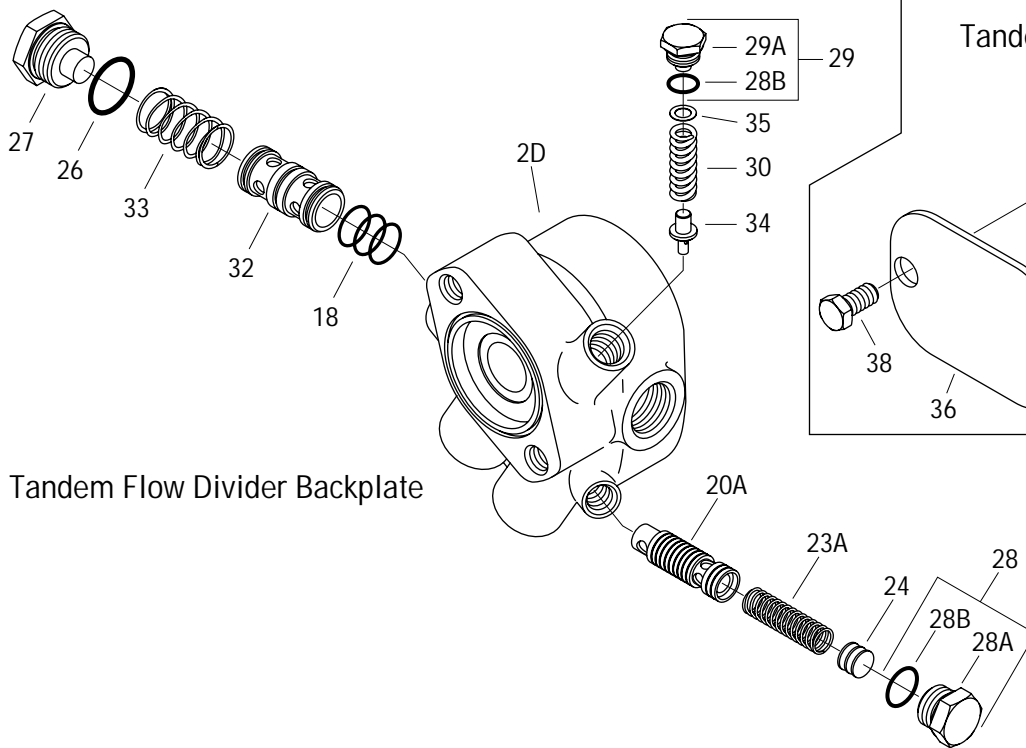
Relief Valve Backplate



Tandem Backplate



Tandem Flow Divider Backplate



# Backplate Parts List

Item No.	Part Number	Description	Qty.	
2A		Plain Backplate	1	
	25300 - 38	Side Ports – 1 5/16-12 Suction, 7/8-14 Pressure		
	25300 - 39	Rear Ports – 1 5/16-12 Suction, 7/8-14 Pressure		
	25300 - 41	Side Ports – 1 1/16-12 Suction, 7/8-14 Pressure		
2B		Relief Valve Backplate	1	
	25310 - 27	Side Ports – 1 1/16-12 Suction, 7/8-14 Pressure, 7/8-14 Drain		
2C		Flow Divider Backplate	1	
	25330 - 22	Side Ports – 1 5/16-12 Suction, 3/4-16 Priority, 7/8-14 Secondary		
	25330 - 23	Rear Ports – 1 5/16-12 Suction, 3/4-16 Priority, 7/8-14 Secondary		
2D		Tandem Flow Divider Backplate	1	
	X25340 - 10	Side Ports – 1 1/16-12 Suction, 3/4-16 Priority, 7/8-14 Secondary		
2E		Tandem Backplate	1	
	X25340 - 11	Side Ports – 1 1/16-12 Suction, 7/8-14 Pressure		
18	16015 - 5 - 90	O-ring	3	
19A	Δ	Relief Valve Assembly	1	
19A1	NSS	Relief Valve	1	
†	19A2	16015 - 17	O-ring	1
†	19A3	16235 - 111	Backup Ring	1
†	19A4	16003 - 11	O-ring	1
	19B	33100 - 301	Plug Assembly	1
	19B1	NSS	Plug	1
20	Δ	Flow Divider Spool	1	
20A	24330 - 604	Spool for Tandem Flow Divider Backplate		
21	15440 - 303	Plug/O-ring Assembly	1	
21A	NSS	Plug	1	
†	21B	16003 - 12 - 90	O-ring	2
22	16224 - 05	Plug/O-ring Assembly	1	
22A	NSS	Plug	1	
23	17046 - 20	Spring	1	
23A	15511 - 142	Spring for Tandem Flow Divider Backplate	1	
24	15511 - 141	Shim (.0239 inch thick)	A/R	
↷	26	16015 - 18 - 90	O-ring	1
	27	15511 - 430	Plug	1
	28	16224 - 09	Plug/O-ring Assembly	1
	28A	NSS	Plug	1
↷	28B	16003 - 12 - 90	O-ring	2
	29	16225 - 05	Plug/O-ring Assembly	1
	29A	NSS	Plug	1
	30	32015 - 24	Relief Valve Spring	1
	32	15511 - 110	Sleeve	1
	33	15511 - 473	Spring	1
	34	32015 - 51	Poppet	1
	35	16048 - 35	Shim Washer (.010 inch thick)	A/R
	36	25340 - 601	Tandem Cover Plate	1
	37	16015 - 38	O-ring	1
	38	16032 - 606	Cap Screw	2

Δ – See tables on page 6 for specific part numbers  
 NSS – Not Sold Separately  
 A/R – As Required

# Backplate Parts List

## Item No. 19A – Relief Valve Assembly

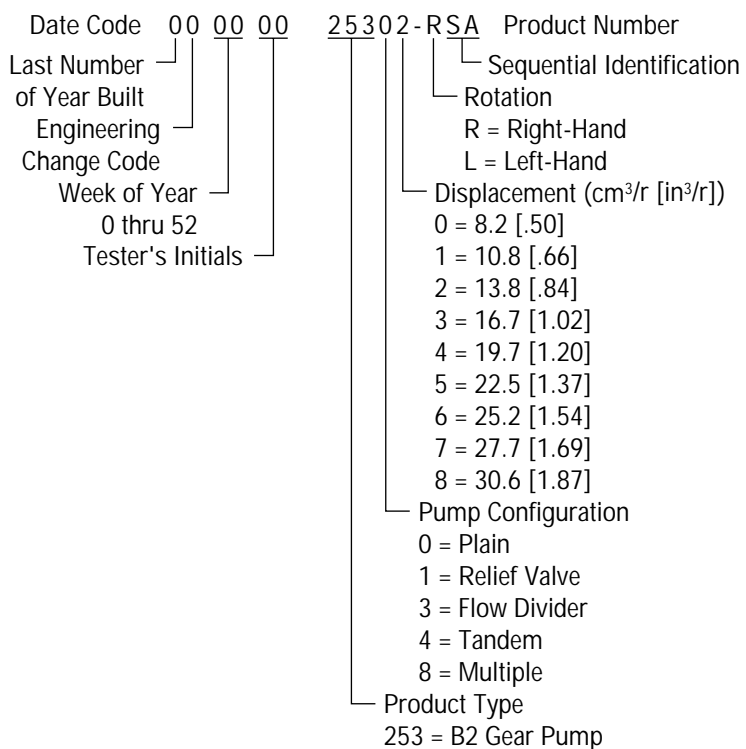
Part Number	Pressure Setting (bar [PSI])
	34.5 [500]
	51.7 [750]
32080 - CA	68.9 [1000]
32080 - EA	86.2 [1250]
32080 - GA	103.4 [1500]
32080 - JA	120.6 [1750]
32080 - LA	137.9 [2000]
32080 - NA	155.1 [2250]
32080 - QA	172.4 [2500]

## Item No. 20 – Flow Divider Spool

Part Number	Flow Setting (LPM [GPM])
	3.8 [1.00]
25330 - 612	5.7 [1.50]
25330 - 617	7.6 [2.00]
	9.5 [2.50]
25330 - 600	11.4 [3.00]
	13.3 [3.50]
25330 - 603	15.1 [4.00]
25330 - 608	17.0 [4.50]
25330 - 608	18.9 [5.00]
25330 - 605	20.8 [5.50]
25330 - 601	22.7 [6.00]

# Pump Identification

## Numbers Stamped on Mounting Flange



Eaton Corporation  
Hydraulics Division  
15151 Hwy. 5  
Eden Prairie, MN 55344  
Telephone 612/937-9800  
Fax 612/937-7130

Eaton Ltd.  
Hydraulics Division  
Glenrothes, Fife  
Scotland, KY7 4NW  
Telephone 01-592-771-771  
Fax 01-592-773-184

Eaton GmbH  
Hydraulics Products  
Am Schimmersfeld 7  
40880 Ratingen, Germany  
Telephone 02102-406-830  
Fax 02102-406-800



Quality System Certified  
Products in this catalog are manufactured  
in an ISO-9001-certified site.