

# Installation Information

No. 4-1•119  
January, 1999



## 6000 Series Char-Lynn® Disc Valve Motor -006 61314-000 Seal Kit (Shaft End)

Eaton Corporation  
Hydraulics Division  
15151 Hwy. 5  
Eden Prairie, MN 55344  
Telephone 612/937-7254  
Fax 612/937-7130

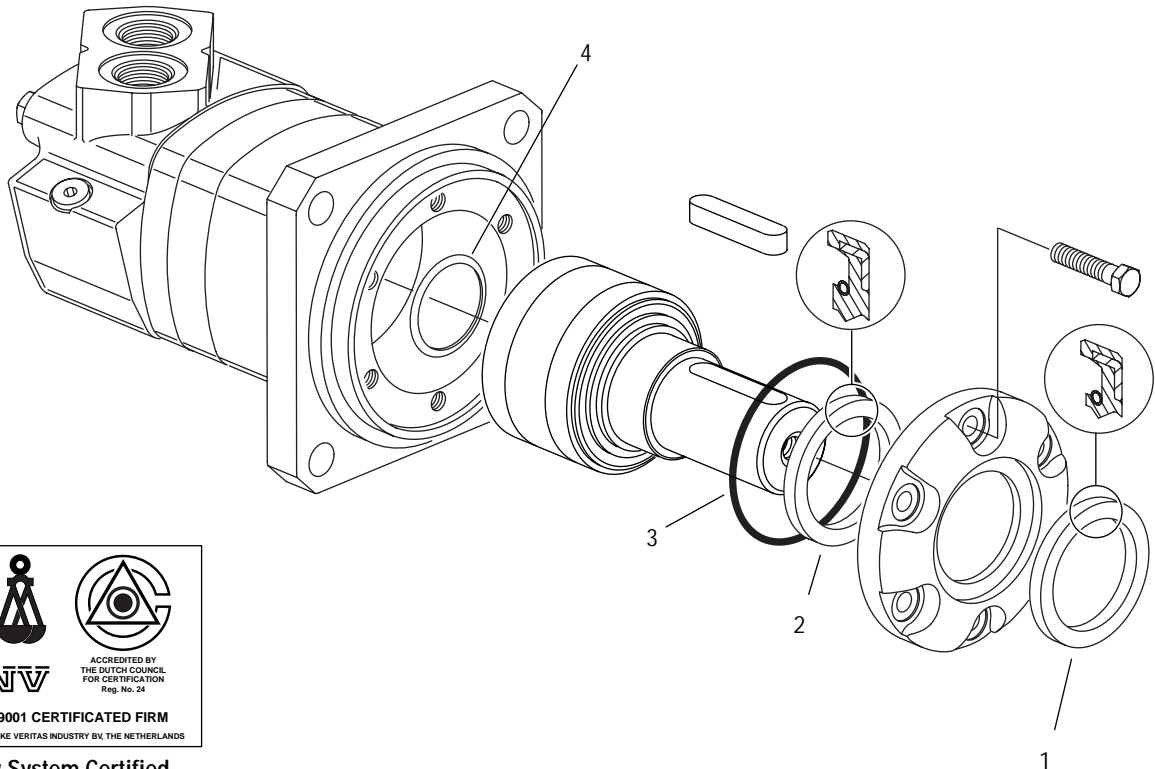
Eaton Ltd.  
Hydraulics Division  
Glenrothes, Fife  
Scotland, KY7 4NW  
Telephone +44(0)1592-771-771  
Fax +44(0)1592-773-184

Copyright Eaton Corporation, 1999  
All Rights Reserved  
Printed in USA

For more detailed information contact Eaton Corp. Hydraulics Division 15151 highway 5 Eden Prairie, MN 55344.

- Parts Information 6000 Series No. 6-127
- Specifications and performance data, Catalog No. 11-878
- When servicing 6000 Series motors refer to Repair Information No. 7-119. This manual lists tools required, and step by step disassembly and reassembly procedures.

Ref. No.	Description (nominal size for ref. - mm [in.])	Qty.
1	Seal, Dust (78,2 [3.08] O.D.)	1
2	Seal, Shaft (80,3 [3.16] O.D.)	1
3	Seal (92,3 [3.64] I.D.)	1
4	Seal, Shaft Face (45,7 [1.80] I.D.)	1



Quality System Certified  
Products in this catalog are manufactured  
in an ISO-9001-certified site.